



# CAST IRON VALVES 鑄鐵凡而

## 主要產品

- 閘閥
- 球形閥
- 止回閥
- 過濾器
- 消防用閥
- 船用閥

## MAIN PRODUCTS

GATE VALVES  
GLOBE VALVES  
CHECK VALVES  
STRAINERS  
FIRE PROTECTION VALVES  
MARINE VALVES

ISO-9002

Lic.No:4M4Y001-01



Standard  
Australian



## 怡發金屬工業股份有限公司

公司：台北市民生西路152號 電話：(02)559-9181~6 FAX:(02)5599187~8  
工廠：桃園縣八德市廣福路853號 電話：(03)3662411~3 FAX:(03)3678974

EVER METAL INDUSTRY CO., LTD.

OFFICE:152 MIN SHENG WEST ROAD. TAIPEI, TAIWAN, R.O.C.

Tel:(02)559-9181~6 FAX:(02)5599187~8

FACTORY:853 KWANG FU ROAD. PA TEH CITY

TAO YUAN HSIEN, TAIWAN, R.O.C.

Tel:(03)3662411~3 FAX:(03)3678974

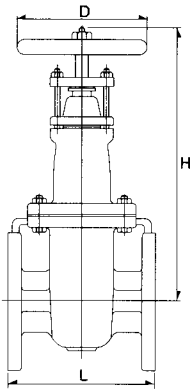


B2001-7

### FIG 761A GATE VALVE

**N.R.S**

125 Lb SWP. 200 WOG  
Conforms to MSS SP-70



Body	Cast Iron	ASTM A126-B
Bonnet	Cast Iron	ASTM A126-B
Disc	Cast Iron	ASTM A126-B
Stem	Brass	ASTM B16
Seat ring	Cast Bronze	ASTM B62
Packing	Non-Asbestos Packing	

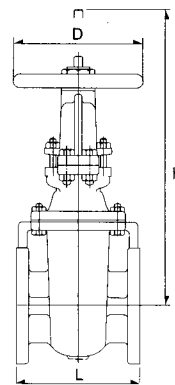
Unit: inch

Size	L	H	D	WT Lbs	Size	L	H	D	WT Lbs
2"	7	12.3	7	33	10"	13	32.9	16	361
2½"	7.5	13.3	7	44	12"	14	37.4	18	578
3"	8	15	8	55	14"	15	41.4	20	880
4"	9	17.8	10	95	16"	16	46.9	22	1165
5"	10	20.1	12	132	18"	17	49.8	24	1462
6"	10.5	23.1	12	172	20"	18	54.9	24	1801
8"	11.5	27.8	14	271	24"	20	64.3	30	2600

### FIG 762A GATE VALVE

**O. S&Y**

125 Lb SWP. 200 WOG  
Conforms to MSS SP-70



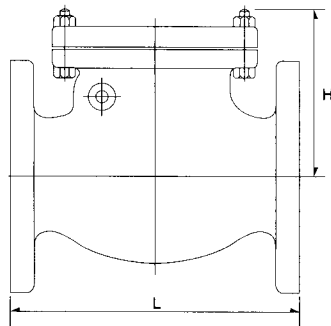
Body	Cast Iron	ASTM A126-B
Bonnet	Cast Iron	ASTM A126-B
Disc	Cast Iron	ASTM A126-B
Stem	Brass	ASTM B16
Seat Ring	Cast Bronze	ASTM B62
Packing	Non-Asbestos Packing	

Unit: inch

Size	L	H	D	WT Lbs	Size	L	H	D	WT Lbs
2"	7	14.7	7	36	10"	13	48.2	16	441
2½"	7.5	16.7	7	48	12"	14	56.1	18	628
3"	8	18.9	8	60	14"	15	62.5	20	880
4"	9	23.4	10	103	16"	16	71.1	22	1166
5"	10	27.7	12	143	18"	17	79	24	1467
6"	10.5	32.2	12	186	20"	18	87.1	24	1824
8"	11.5	39.5	14	298	24"	20	100.5	30	2618

### FIG 763A CHECK VALVE

125 Lb SWP. 200 WOG  
Conforms to MSS SP-71



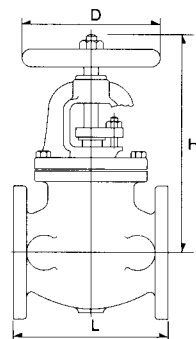
Body	Cast Iron	ASTM A126-B
Bonnet	Cast Iron	ASTM A126-B
Disc	Cast Iron	ASTM A126-B
Seat Ring	Cast Bronze	ASTM B62

Unit: inch

Size	L	H	WT Lbs
2"	8	4.7	25
2½"	8.5	5.4	36
3"	9.5	5.8	46
4"	11.5	6.7	81
5"	13	7.8	115
6"	14	8.5	150
8"	19.5	10.4	253
10"	24.5	11.9	442
12"	27.5	13.5	638

### FIG 765A GLOBE VALVE

125 Lb SWP. 200 WOG  
Conforms to MSS SP-85



Body	Cast Iron	ASTM A126-B
Bonnet	Cast Iron	ASTM A126-B
Disc	2"-3" Cast Bronze 4"-12" Cast Iron	ASTM B62 ASTM A126-B
Stem	Brass	ASTM B16
Seat Ring	Cast Bronze	ASTM B62
Packing	Non-Asbestos Packing	

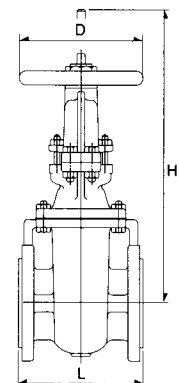
Unit: inch

Size	L	H	D	WT Lbs	Size	L	H	D	WT Lbs
2"	8	11.9	6	36	6"	14	19.7	11	183
2½"	8.5	12.8	7	49	8"	19.5	22.7	13.5	378
3"	9.5	13.6	7.5	57	10"	24.5	27	16	523
4"	11.5	14.6	9	95	12"	27.5	29.8	19	700
5"	13	17.7	10	139	14"	31	34.5	20	997

### FIG 772A GATE VALVE

**O. S&Y**

250 Lb SWP. 500 WOG  
Conforms to MSS SP-70



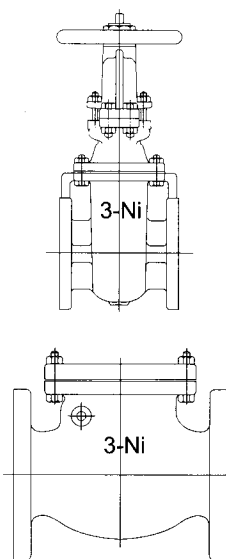
Body	Cast Iron	ASTM A126-B
Bonnet	Cast Iron	ASTM A126-B
Disc	Cast Iron	ASTM A126-B
Stem	Brass	ASTM B16
Seat Ring	Cast Bronze	ASTM B62
Packing	Non-Asbestos Packing	

Unit: inch

Size	L	H	D	WT Lbs	Size	L	H	D	WT Lbs
2"	8.5	15	6.5	52.8	6"	15.88	32.44	12.5	258.5
2½"	9.5	17.1	7.5	70.4	8"	16.5	40.6	15	451
3"	11.13	19.4	8.25	102.3	10"	18	49.1	17.5	649
4"	12	23.6	10	157.3	12"	19.75	56.6	20.5	913
5"	15	27.9	11	198					

### FIG 762-NI GATE VALVE

Body	Cast Iron Ni	3% Nickel
Bonnet	Cast Iron Ni	3% Nickel
Disc	2"-3" Stainless Steel 4"-12" Cast Iron Ni	A182-Gr.F316 3% Nickel
Stem	Stainless Steel	A182-Gr.F316
Seat Ring	Stainless Steel	A182-Gr.F316
Packing	Non-Asbestos Packing	



### FIG 763-NI CHECK VALVE

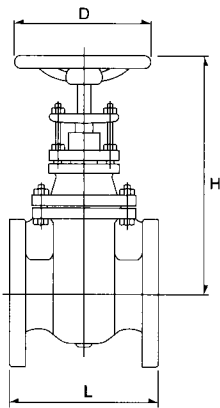
Body	Cast Iron Ni	3% Nickel
Cover	Cast Iron Ni	3% Nickel
Disc	2"-3" Stainless Steel 4"-12" Cast Iron Ni	A182-Gr.F316 3% Nickel
Seat Ring	Stainless Steel	A182-Gr.F316

Other Spec. Also Available

### FIG 701A GATE VALVE

**N.R.S**

125 Lb WP. 200 WOG  
Conforms to ANSI B16.1



Body	Cast Iron	ASTM A126-B
Bonnet	Cast Iron	ASTM A126-B
Disc	Cast Iron	ASTM A126-B
Stem	Stainless Steel	SUS410
Seat Ring	Cast Bronze	ASTM B62
Packing	Asbestos or Non-Asbestos	

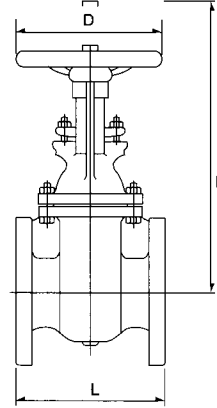
Unit: inch

Size	L	H	D	WT Lbs	Size	L	H	D	WT Lbs
2"	7	9.94	6.31	26.4	10"	13	27.44	14	299
2½"	7.5	10.63	6.31	33.0	12"	14	31.19	15.75	436
3"	8	12.13	7.06	41.8	14"	15	37.5	17.75	704
4"	9	14.44	7.88	70.4	16"	16	41.13	19.69	957
5"	10	17.06	9.88	99	18"	17	44.55	22.05	1212
6"	10.5	19.13	11	134	20"	18	48.69	22.05	1558
8"	11.5	23.13	11.81	211					

### FIG 702A GATE VALVE

**O.S&Y**

125 Lb WP. 200 WOG  
Conforms to ANSI B16.1



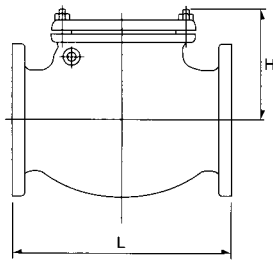
Body	Cast Iron	ASTM A126-B
Bonnet	Cast Iron	ASTM A126-B
Disc	Cast Iron	ASTM A126-B
Stem	Stainless Steel	SUS410
Seat Ring	Cast Bronze	ASTM B62
Packing	Asbestos or Non-Asbestos	

Unit: inch

Size	L	H	D	WT Lbs	Size	L	H	D	WT Lbs
2"	7	12.63	6.31	29	10"	13	43.19	14	330
2½"	7.5	13.75	6.31	36	12"	14	50.13	15.75	497
3"	8	15.44	7.06	45	14"	15	60	17.75	748
4"	9	19.44	7.88	77	16"	16	67	19.69	1056
5"	10	24.31	9.88	112	18"	17	76.31	22.05	1232
6"	10.5	27.56	11	147	20"	18	84.25	22.05	1628
8"	11.5	34.81	11.81	224					

### FIG 703A CHECK VALVE

125 Lb WP. 200 WOG  
Conforms to ANSI B16.1



Body	Cast Iron	ASTM A126-B
Cover	Cast Iron	ASTM A126-B
Disc	Cast Iron	ASTM A126-B
Seat Ring	Cast Bronze	ASTM B62

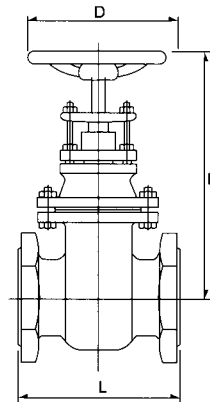
Unit: inch

Size	L	H	WT Lbs	Size	L	H	WT Lbs
2"	8.0	4.38	20	10"	24.5	11.13	330
2½"	8.5	5	29	12"	27.5	13	506
3"	9.5	5.5	37	14"	31	15.5	748
4"	11.5	6.25	62	16"	36	17.63	1008
5"	13	7.5	92	18"	36	19.31	1289
6"	14	8	117	20"	40	22.25	1753
8"	19.5	9.69	202	24"	48	24.88	2607

### FIG 705A SCREWED GATE VALVE

**N.R.S.**

125 Lb WP. 200 WOG  
Conforms to ANSI B2.1



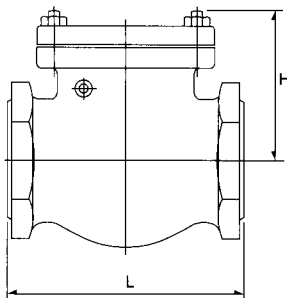
Body	Cast Iron	ASTM A126-B
Bonnet	Cast Iron	ASTM A126-B
Disc	Cast Iron	ASTM A126-B
Stem	Stainless Steel	SUS410
Seat Ring	Cast Bronze	ASTM B62
Packing	Asbestos or Non-Asbestos	

Unit: inch

Size	L	H	D	WT Lbs	Size	L	H	D	WT Lbs
2"	6.13	9.96	6.3	20	4"	7.64	14.45	7.87	53
2½"	6.5	10.63	6.3	25	5"	8.5	17.09	9.84	83
3"	6.77	12.13	7.09	32	6"	8.86	19.13	11	110

### FIG 707A SCREWED CHECK VALVE

125 Lb WP. 200 WOG  
Conforms to ANSI B2.1



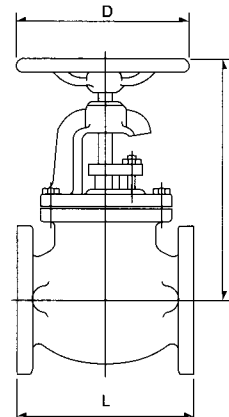
Body	Cast Iron	ASTM A126-B
Cover	Cast Iron	ASTM A126-B
Disc	Cast Iron	ASTM A126-B
Seat Ring	Cast Bronze	ASTM B62

Unit: inch

Size	L	H	WT Lbs	Size	L	H	WT Lbs
2"	6.5	4.25	12	4"	10	6.19	35
2½"	7	4.53	18	5"	11.25	7.19	59
3"	8	5.06	23	6"	12.5	7.5	87

### FIG 755A GLOBE VALVE

125 Lb WP. 200 WOG  
Conforms to ANSI B16.1



Body	Cast Iron	ASTM A126-B
Bonnet	Cast Iron	ASTM A126-B
Disc	Cast Iron	ASTM A126-B
Stem	Stainless Steel	SUS410
Seat Ring	Cast Bronze	ASTM B62
Packing	Asbestos or Non-Asbestos	

Unit: inch

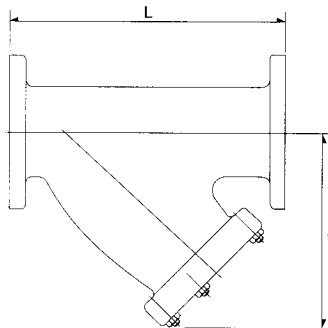
Size	L	H	D	WT Lbs	Size	L	H	D	WT Lbs
2"	8.0	12.4	6.31	26.4	6"	14.0	20.5	11.00	155.8
2½"	8.5	13.6	6.31	37.4	8"	19.5	23.4	11.81	250.8
3"	9.5	14.4	7.06	49.34	10"	24.5	26.9	14.00	412.7
4"	11.5	16.1	7.88	74.4	12"	27.5	30.2	15.75	594
5"	13.0	18.3	9.88	113.5	14"	31	34.5	17.72	997

**Other Spec. Also Available**

### FIG 754A CAST IRON "Y" STRAINERS

125 Lb CAST IRON STRAINERS  
Flanged ends Y-type

Body	Cast Iron	ASTM A126-B
Cover	Cast Iron	ASTM A126-B
Screen	Stainless Steel	ASTM A167 Type304



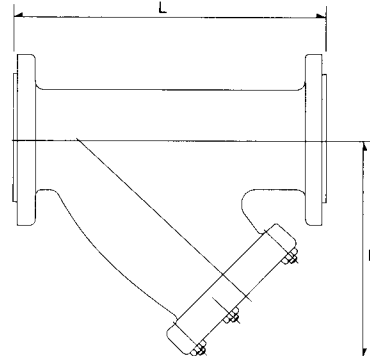
Unit: inch

Size	L	H	WT Lbs	Size	L	H	WT Lbs
2"	9.88	6.19	23	8"	24.0	17.38	238
2 1/2"	11.25	7.63	37	10"	29.5	20.88	414
3"	12.50	8.25	44	12"	33.75	23.56	590
4"	14.88	10.06	78	14"	37.25	27.09	790
5"	17.94	12.50	110	16"	42.37	29.25	1144
6"	20.38	14.31	147				

### FIG 774A CAST IRON "Y" STRAINERS

250 Lb CAST IRON STRAINERS  
Flanged ends Y-type

Body	Cast Iron	ASTM A126-B
Cover	Cast Iron	ASTM A126-B
Screen	Stainless Steel	ASTM A167 Type304



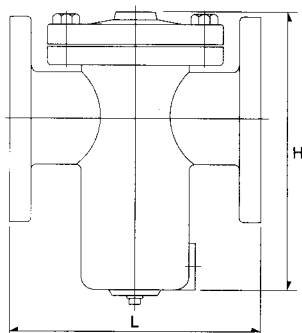
Unit: inch

Size	L	H	WT Lbs
2"	9.88	6.19	30
2 1/2"	11.25	7.63	43
3"	12.50	8.25	63
4"	14.88	10.06	98
5"	17.94	12.50	149
6"	20.38	14.31	209
8"	24.00	17.38	315
10"	29.50	20.88	524
12"	33.75	23.56	702

### FIG 764A Basket Strainer Bolted Cover Flanged Type

125 Lb FLANGED CONNECTION  
STEAM: 125 PS.I  
W.O.G: 175 PS.I

Body	Cast Iron	ASTM A126-B
Cover	Cast Iron	ASTM A126-B
Screen	Stainless Steel	ASTM A167 Type304



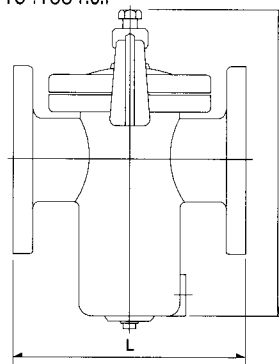
Unit: inch

Size	L	H	WT Lbs	Size	L	H	WT Lbs
2"	8	8.38	22.4	10"	20.13	24.50	352.9
2 1/2"	8.25	9.63	32.6	12"	26.25	29.75	522.7
3"	9.75	11.25	44	14"	30.25	36.34	814
4"	11.50	12.75	66.4	16"	33.13	38.16	1040.6
5"	13.13	14.63	87.6	18"	38.38	39.84	1965
6"	14.75	15.63	119.7	20"	41.25	46.34	2530
8"	18.50	20.63	220				

### FIG 744A Basket Strainer Clamped Cover Flanged Type

125 Lb FLANGED CONNECTION  
2"-4": 200 PS.I  
5"-6": 150 PS.I  
8"-16": 100 PS.I

Body	Cast Iron	ASTM A126-B
Cover	Cast Iron	ASTM A126-B
Screen	Stainless Steel	ASTM A167 Type304



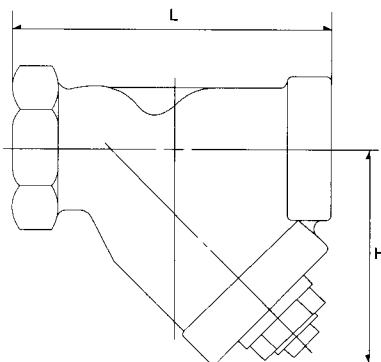
Unit: inch

Size	L	H	WT Lbs	Size	L	H	WT Lbs
2"	8	11.30	25.1	10"	20.13	27.92	381.9
2 1/2"	8.25	12.54	36.7	12"	26.25	33.51	782.3
3"	9.75	14.77	49.7	14"	30.25	39.92	857.4
4"	11.50	16.86	73.5	16"	33.13	41.73	1067.3
5"	13.13	18.71	97.0	18"	38.38	42.64	2031
6"	14.75	19.73	130.5	20"	41.25	48.35	2618
8"	18.50	25.33	235.2				

### FIG 756A CAST IRON "Y" STRAINERS

250 Lb Screwed Connection  
End Threaded to  
ANSI B2.1

Body	Cast Iron	ASTM A126-B
Cover	Cast Iron	ASTM A126-B
Screen	Stainless Steel	ASTM A167 TYPE 304



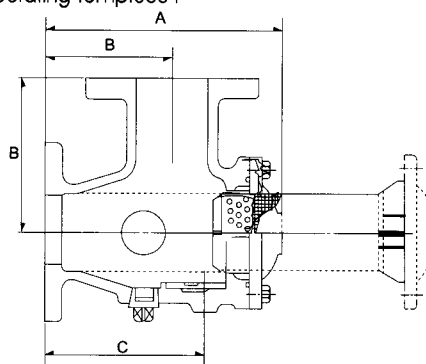
Unit: inch

Size	L	H	WT Lbs
1/4-3/8"	2.63	1.94	0.9
1/2"	3.41	2.44	1.6
3/4"	4.00	2.75	2.4
1"	4.63	3.34	4.0
1 1/4"	5.38	3.94	6.6
1 1/2"	6.06	4.52	8.1
2"	7.5	5.34	13
2 1/2"	9.0	7.20	24
3"	10	7.88	32

### FIG 902A SUCTION DIFFUSER

Flanged ends to ANSI B16.1  
class 125  
Working Pressure: 175Lb  
Operating Temp: 300 F

Body	Cast Iron	ASTM A126-B
Cover	Cast Iron	ASTM A126-B
Screen	Stainless Steel	ASTM A167 Type304



Unit: inch

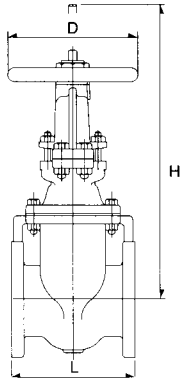
Size	A	B	C
3x2 1/2	10	5.50	6.88
3x3	10	5.50	6.88
4x3	10	6.50	6.88
4x4	12.63	6.50	7.63
6x4	12.63	8.00	7.63
6x5	14.25	8.00	9.00
6x6	16.38	8.00	10.13
8x6	16.38	9.00	10.13
8x8	20.50	9.00	11.00

Other Spec. Also Available

### FIG 722U RESILIENT WEDGE GATE VALVE

**O.S&Y**

2 1/2"~6":200wp  
8"~12": 175wp  
Conforms to ANSI B16.1



Body	Cast Iron	ASTM A126-B
Bonnet	Cast Iron	ASTM A126-B
Disc	Cast Iron	ASTM A126-B
Stem	Brass	ASTM B16
Packing	Non-Asbestos Packing	

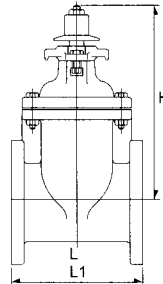
Unit: inch

Size	L	H	D	WT Lbs	Size	L	H	D	WT Lbs
2 1/2"	7.5	14.1	7	43.6	8"	11.5	38.2	14	279.4
3"	8	20.9	10	84.5	10"	13	46.2	16	434.5
4"	9	22.3	10	95.9	12"	14	54.9	18	607.2
6"	10.5	30.5	12	176					

### FIG 721U RESILIENT WEDGE GATE VALVE

**N.R.S.**

2 1/2" -6": 200 WP 8"-10":175 WP  
Flanged ends Conforms to ANSI B16.1 Class 125  
Mechanical Joint ends Conform to ANSI/AWWA A21.11/C111



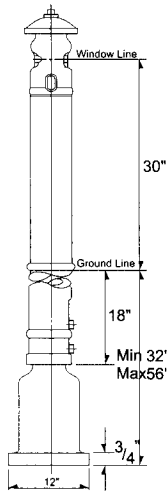
Body	Cast Iron	ASTM A126-B
Bonnet	Cast Iron	ASTM A126-B
Disc	Cast Iron	Coated with EPDM
Stem	Brass	ASTM B16

Unit: inch

Size	L	H	D	WT Lbs	Size	L	H	D	WT Lbs
2 1/2"	7.5	7.5	9.96	42.2	6"	12	10.5	18.27	146.1
3"	9.5	8	13.86	77	8"	12.5	11.5	21.7	228.8
4"	11	9	14.33	90.2	10"	14.75	13	25.63	387.4

L : Mechanical joint ends.  
L1: Flanged end.

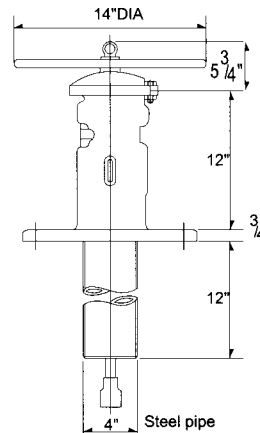
### FIG 800 INDICATOR POST ADJUSTABLE TYPE



Body	Cast Iron	ASTM A126-B
EXTENSION SLEEVE	Cast Iron	ASTM A126-B
OPERATING WRENCH	Ductile Iron	ASTM A-536
OPERATING STEM	Cast Bronze	ASTM B62
Cap	Cast Iron	ASTM A126-B
EXTENSION ROD	Mild Steel	ASTM A105-80

★ ★ Fig No. 800 Adjustable Type Indicator Post. Vertical type enables underground fire line valve to be operated at ground level with operating wrench

### FIG 800W WALL TYPE INDICATOR POST



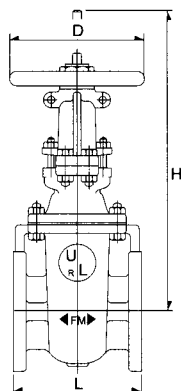
Body	Cast Iron	ASTM A126-B
Hand Wheel	Cast Iron	ASTM A126-B
Operating Stem	Cast Bronze	ASTM B62
Cap	Cast Iron	ASTM A126-B
Extension Rod	Mild Steel	ASTM A105-80
Socket	Cast Iron	ASTM A126-B

★ ★ The Wall Type Indicator Post is used When a Valve is Installed behind a wall.  
★ ★ The wall flange of the wall type indicator post is tapped for 4" schedule 40 steel pipe (Furnished by Customer) which extend through the wall

### FIG 762U GATE VALVE

**O.S&Y**

175 WP  
Conforms to MSS SP-70



Body	Cast Iron	ASTM A126-B
Bonnet	Cast Iron	ASTM A126-B
Disc	Cast Iron	ASTM A126-B
Stem	Brass	ASTM B16
Seat Ring	Cast Bronze	ASTM B62
Packing	Non-Asbestos Packing	

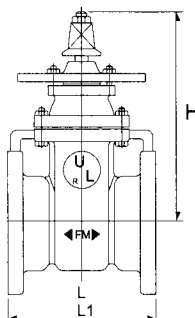
Unit: inch

Size	L	H	D	WT Lbs	Size	L	H	D	WT Lbs
2"	7	14.7	7	36	6"	10.5	32.2	12	186
2 1/2"	7.5	16.7	7	48	8"	11.5	39.5	14	298
3"	8	18.9	8	60	10"	13	48.2	16	441
4"	9	23.4	10	103	12"	14	56.1	18	628

### FIG 710U GATE VALVE

**N.R.S.**

175 WP  
Flanged ends Conforms to ANSI B16.1 Class 125  
Mechanical Joint ends Conforms to ANSI A21.11 AWWA C111



Body	Cast Iron	ASTM A126-B
Bonnet	Cast Iron	ASTM A126-B
Disc	Cast Iron	ASTM A126-B
Stem	Brass	ASTM B16
Seat Ring	Cast Bronze	ASTM B62

Unit: inch

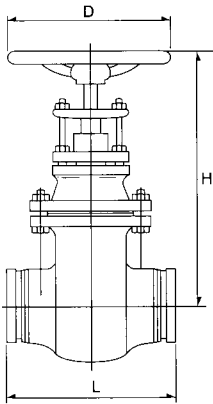
Size	L	L1	H	WT Lbs	Size	L	L1	H	WT Lbs
3"	9	8	12.1	74	8"	11.5	11.5	21	261
4"	10	9	13.7	103	10"	13	13	24.6	409
6"	11.5	10.5	18.1	179	12"	14	14	28.2	552

L : Mechanical joint End comply with AWWA C111 and ANSI A21.11.  
L1: Flanged End have 125 Lb American Standard End Flange Drilling ANSI B16.1

**Other Spec. Also Available**

### FIG 701G GROOVED END GATE VALVE

Body	Ductile Iron	ASTM A536
Bonnet	Cast Iron	ASTM A126-B
Disc	Cast Iron	ASTM A126-B
Stem	Stainless Steel	SUS410
Seat Ring	Cast Bronze	ASTM B62
Packing	Non-Asbestos Packing	



Unit: inch

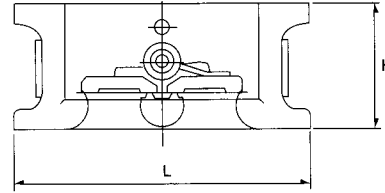
Size	L	H	D	WT Lbs	Size	L	H	D	WT Lbs
2"	7	9.96	6.31	19.8	5"	10	17.05	9.88	78.5
2 1/2"	7.5	10.63	6.31	25.3	6"	10.5	19.13	11.00	101.2
3"	8	12.13	7.06	31.9	8"	11.5	23.15	11.81	158.4
4"	9	14.45	7.88	50.6					

### FIG 723A DUAL PLATE WAFER CHECK VALVE

Conforms to:ANSI  
BS  
JIS

Body	Cast Iron	ASTM A126-B
Plate	Stainless Steel	ASTM A351-CF8M
Body Seat	EPDM	Commercial

Unit: inch

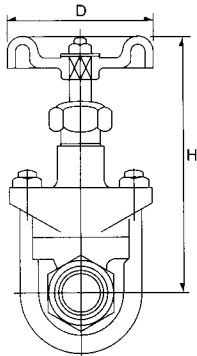


Size	L	H	WT Lbs
2"	4.13	2.13	4.11
2 1/2"	4.88	2.13	5.76
3"	5.38	2.25	11.66
4"	6.88	2.50	17.6
5"	7.75	2.75	17.6
6"	8.75	3.00	23.32
8"	11.00	3.75	44
10"	13.38	4.25	70.84
12"	16.13	5.63	116.6

### FIG 757A IRON CLIP GATE VALVE

1/4"-2" 150 WSP 225 WOG  
2 1/2"-4" 125 WSP 175 WOG  
End Threaded to ANSI B2.1

Body	1/4"-1" Ductile Iron 1 1/2"-4" Cast Iron	ASTM A536 ASTM A126-B
Bonnet	1/4"-1" Ductile Iron 1 1/2"-4" Cast Iron	ASTM A536 ASTM A126-B
Disc	1/4"-1" Ductile Iron 1 1/2"-4" Cast Iron	ASTM A536 ASTM A126-B
Stem	Stainless Steel	SUS410
Packing	Asbestos Graphite	



Unit: inch

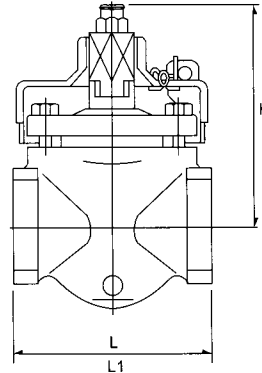
Size	FACE TO FACE	H	D	WT Lbs	Size	FACE TO FACE	H	D	WT Lbs
1/4"-1/2"	2.09	5	2 1/8	1.5	2"	3.70	11.58	3 5/32	10
3/4"	2.36	6.22	2 7/16	2	2 1/2"	4.17	12.88	4 49/64	16
1"	2.59	7.5	2 9/16	3	3"	4.56	14.77	6	24
1 1/4"	2.88	9	2 11/16	5	4"	5.67	19.3	9	48
1 1/2"	3.14	9.14	3 3/4	6.5					

### FIG 758A 175WOG CAST IRON LUBRICATED PLUG VALVE

Thread conform to ANSI B2.1  
Flange Dimensions ANSI B16.1

Body	Cast Iron	ASTM A126-B
Cover	Cast Iron	ASTM A126-B
Plug	Cast Iron	ASTM A126-B

Unit: inch

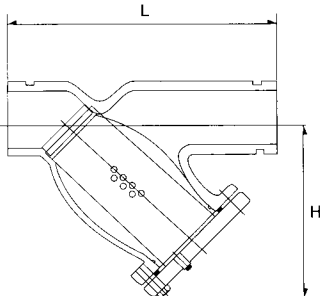


Size	L	L1	H	WT Lbs
1"	4.5	5.5	5.04	5.5
2"	5.88	7	6.54	15.4
3"	7.63	8	8.03	33
4"	9.00	9	8.74	40

L: Screwed end  
L1: Flanged end

### FIG 454 GROOVED END DUCTILE IRON BODY "Y" STRAINERS

Body	Ductile Iron	ASTM A536
Cover	Ductile Iron	ASTM A536
Screen	Stainless Steel	ASTM A167 Type304



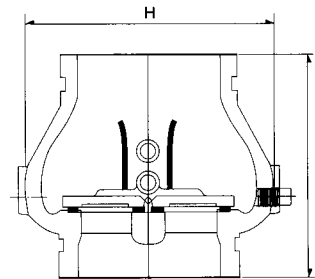
Unit: inch

Size	L	H	WT Lbs	Size	L	H	WT Lbs
2"	9.00	6.70	13.7	6"	18.75	15.63	100.8
2 1/2"	10.50	8.11	20.2	8"	24.00	18.50	164.1
3"	12.00	8.22	27.7	10"	27.62	22.83	297
4"	14.25	10.63	46.2	12"	32.25	25.90	424.6

### FIG 453 GROOVED END DUCTILE IRON BODY CHECK VALVE DUAL PLATE

Pressure Temperature Rating  
650 PS.I at 150°F

Body	Ductile Iron	ASTM A536
Plate	Cast Bronze	ASTM B62
Plate Seat	EPDM	Commercial



Unit: inch

Size	L	H	WT Lbs
3"	5.13	5.50	8.80
4"	5.63	6.31	12.3
6"	7.00	9.25	27.7
8"	8.25	11.25	48.4
10"	10.00	13.38	74.8
12"	12.00	16.25	122

Other Spec. Also Available